

# RA708



- Robust Construction
- All Weather Protection
- Vandal Resistant
- Tamper Resistant Fixings
- Highly Reliable Operation
- Simple Installation
- Fast-fit Terminal Connection
- Various Mounting Options
- Full Keypad, Lift & Dial or C.B. (Hot Line) Operation
- Auto-dial option
- Non-volatile memory
- Line Powered
- Tough Polyurethane Handset
- REN-1 rating
- Lockable Door Option

## RA708 Series Weather and Vandal Resistant Telephones

These telephone instruments are fully contained within a corrosion resistant cast aluminium weatherproof case with a self-closing door providing complete protection against dust and moisture ingress, resulting in a highly reliable product with a long MTBF. The unique robust handset is manufactured from moulded polyurethane and designed specifically to withstand arduous use in all environments, it can be fitted with an armoured cord, if required, to provide additional resistance to vandalism or heavy industrial use.

The RA708 Weatherproof Telephone is designed for use by the railways, power stations, the armed

services and heavy industry which require very reliable telephony under adverse conditions.

Powdercoat finish available in Yellow or Grey, durable and resistant to discolouration yet easily cleaned. Telephones can be wall mounted, side of pole mounted or, by utilising specific bracket, top of pole mounted.

Installation is simple and quick via M20 cable glands on to fast-fit connectors which are accessed without the need for dismantling the telephone body.

All variants are fully approved for use by Network Rail.

DAC Limited  
Union Mill  
Watt Street  
Sabden, Lancashire  
BB7 9ED  
United Kingdom

Tel.: +44 (0) 1282 44 7000, Fax: +44 (0) 845 280 1915  
[www.daclimited.co.uk](http://www.daclimited.co.uk)

# TECHNICAL SPECIFICATION

## TECHNICAL SPECIFICATION

### Speech/Network Interface:

EN 301 437 V1. 1. 1

[Manufactured to TBR21 TBR38]

### Ringin:

Frequency modulated, Piezo transducer, cadence as per incoming ringin. REN 1.0

### Power Supply:

Line powered, 10mA min

### Time out:

3 min, 7 min and timeout disabled

### Temperature:

Operating: -30° C to +60° C

Storing: -40° C to +70° C

### Relative Humidity:

Up to 95% (non-condensing)

### Casing Material:

Robust cast aluminium.

### Colours:

Standard Yellow or Grey durable powder coat.

[custom colours available]

### Programming:

Externally connected keypad matrix.

### Safety:

Manufactured to BS EN 60950

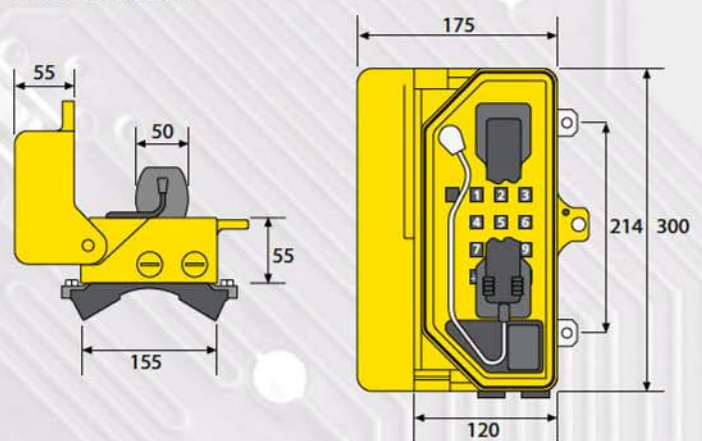
### Protection:

Dust and Liquids to BS 5490: 1977 IP 65

### Handset 'Wrench' Test:

Curly Cord: 18kg Max. Armoured Cord: 150kg Max.

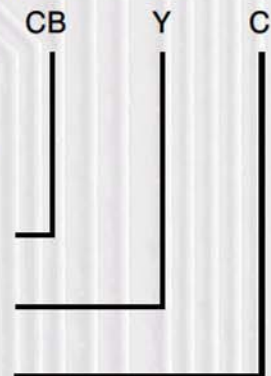
## DIMENSIONS



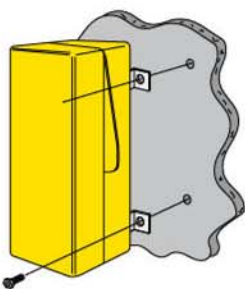
## ORDERING INFORMATION

Weatherproof Telephone

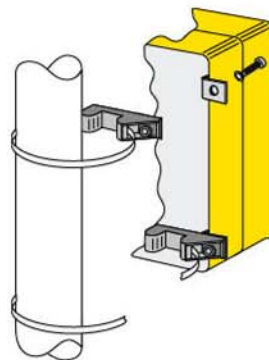
Model No. RA708  
Keypad Type CB (Central Battery), LD (Lift & Dial) or FK (Full Keypad)  
Colour Yellow (Y) or Grey (G)  
Cord Type Steel (S) or Curly (C)



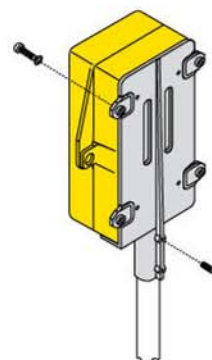
## FIXING OPTIONS



**WALL MOUNTING**  
Integral with backplate  
on all telephones



**SIDE OF POLE MOUNTING**  
Part no. 10/06/3425



**TOP OF POLE MOUNTING**  
Part no. 503483/2-1 (grey)  
Part no. 503483/2-2 (yellow)



[www.daclimited.co.uk](http://www.daclimited.co.uk)

DAC Limited  
Tel: +44 (0) 1282 447000  
Fax: +44 (0) 845 280 1915

The policy of DAC Limited is one of continuous improvement, therefore the company reserves the right to change specifications without notice.