

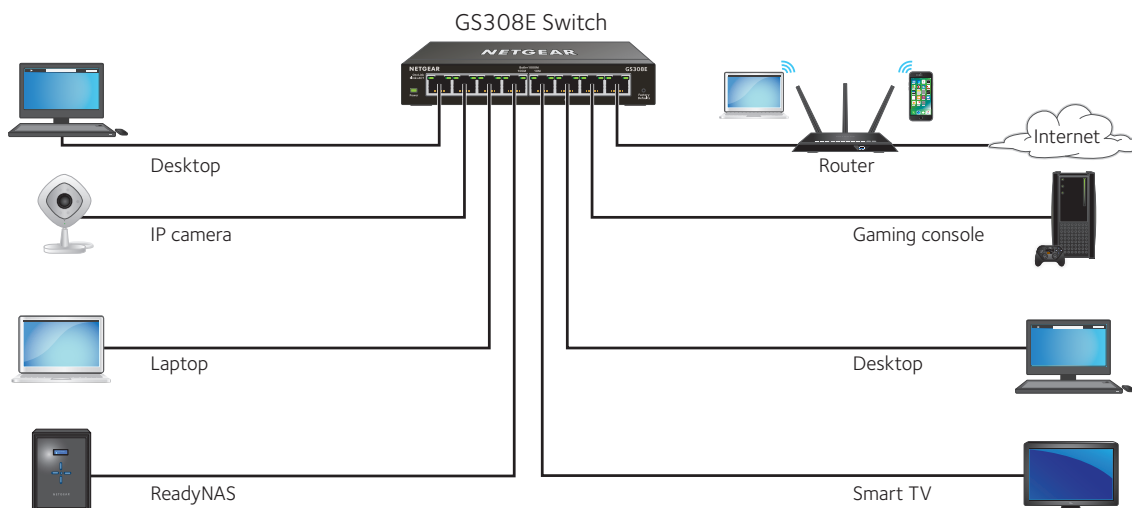
Expanding Wired Connectivity for SOHO Networks

NETGEAR[®] Smart Managed Plus Switches meet this growing need by providing fundamental network features such as VLANs, QoS, and IGMP Snooping that will help optimize the performance of business networks. Smart Managed Plus Switches are the perfect upgrade from the plug-and-play unmanaged switch, delivering essential networking features at a very affordable price.

Highlights

- Enable network configuration and management at the price point of Unmanaged Switches
- Simple, yet useful network set-up on top of plug-and-play connectivity
- Flexible management via easy-to-use web browser-based management GUI or using the PC-based Utility application
- VLAN support for traffic segmentation
- Quality of Service (QoS) for traffic prioritization
- Auto "denial-of-service" (DoS) prevention
- Troubleshoot connection issues via cable test
- Loop detection and broadcast storm controls
- Rate limiting for better bandwidth allocation
- Port mirroring for network monitoring
- Jumbo frame support

Small Office/Home Office Network Diagram



GS300 Series Comparison

Features	GS305E	GS308E
Gigabit ports	5	8
Max MAC entries	8K	4K
Buffer Size	128KB	192KB
Energy Efficient Ethernet (IEEE 802.3az) compliant	Yes	Yes
Performance Specification		
Forwarding modes	Store-and-forward	
Bandwidth	10Gbps	16Gbps
Priority queuing	Weighted Round Robin (WRR), Strict Priority, or both	
Jumbo frame support	Up to 9K packet size	
Acoustic noise level @ 25° C (dBA) (ANSI-S10.12)	0	0
Mean Time Between Failures (MTBF) @ 25° C	2,531,294 hours	1,638,156 hours
L2 Services - VLANs		
VLAN (# Supported)	64	32
IEEE 802.1Q VLAN Tagging	Yes	Yes
Port-based VLANs	Yes	Yes
L2 Services - Availability		
Link Aggregation/Port Trunking	No	No
Number of Static Manual LAGs and # of members	N/A	N/A
L2 Services - Multicast Filtering		
IGMP snooping (v1, v2, and v3)	Yes	Yes
Block unknown multicast	Yes	Yes
Supported Multicast groups	128	128
L3 Services - DHCP		
DHCP client	Yes	Yes
Quality of Service		
Rate Limiting	Yes	Yes
DSCP	Yes	No
IEEE 802.1p COS	Yes	Yes
Port-based VLAN	Yes	Yes
TOS	Yes	No
WRR (Weighted Round Robin)	Yes	Yes
Strict Priority queue technology	Yes	Yes

GS300 Series Comparison

IEEE Network Protocols	GS305E	GS308E
<ul style="list-style-type: none"> • IEEE 802.3 Ethernet • IEEE 802.3ab 1000BASE-T • IEEE 802.3u 100BASE-T • IEEE 802.3ab 1000BASE-T 	<ul style="list-style-type: none"> • IEEE 802.1p Class of Service • IEEE 802.1Q VLAN Tagging • IEEE 802.3x Full-duplex Flow Control 	
Management		
System Password	Yes	Yes
Web browserbased management GUI	Yes	Yes
PC Utility	Yes	Yes
Port Mirroring	Yes	Yes
Max number of source ports allowed (many-to-one port mirroring)	4	7
Many-to-one Port Mirroring	Yes	Yes
Cable Test Utility	Yes	Yes
FW Upgrade Thru Plus Utility (TFTP)	Yes	Yes
Config download (to Switch) thru Plus Utility	Yes	Yes
Config upload (to server)	Yes	Yes
LEDs		
Per port	Speed, Link, Activity	
Per device	Power, system	
Physical Specifications		
Dimensions (W x D x H)	94 x 100 x 27 mm (3.7 x 3.9 x 1.1 in)	158 x 101 x 29 mm (6.2 x 4 x 1.1 in)
Weight	0.25kg	0.5kg
Environmental Specifications		
Operating		
Operating temperature	32° to 122°F (0° to 50°C)	0° to 40°C
Humidity (relative)	90% maximum relative humidity (RH), non-condensing	
Altitude	10,000 ft (3,000 m) maximum	
Storage		
Storage temperature	- 4° to 158°F (-20° to 70°C)	
Humidity (relative)	95% maximum relative humidity (RH), non-condensing	
Altitude	10,000 ft (3,000 m) maximum	
Electromagnetic Emissions and Immunity		
Certifications	CE mark, commercial FCC Part 15 class B CE/EN55032/24 VCCI ACMA	

GS300 Series Comparison

Warranty and Support	GS305E	GS308E
All Except China		5-year warranty
China		1-year warranty
Technical Support (online, phone)	90 days free from date of purchase*	
ProSUPPORT OnCall 24x7 Service Plans	Category S1: PMBOS11-10000S PMBOS31-10000S PMBOS51-10000S	

*This product comes with a limited warranty that is valid only if purchased from a NETGEAR authorized reseller, and covers unmodified hardware, fans and internal power supplies –not software or external power supplies, and requires product registration at <https://www.netgear.com/business/registration> within 90 days of purchase; see <https://www.netgear.com/about/warranty> for details. Intended for indoor use only.

† NETGEAR #1 in US Market Share according to NPD data for Unmanaged and Smart Switches, September 2019. NETGEAR #1 in Europe Market Share according to Context data for Unmanaged and Smart Switches, September 2019.

NETGEAR and the NETGEAR Logo are trademarks of NETGEAR, Inc. in the United States and/or other countries. Other brand names mentioned herein are for identification purposes only and may be trademarks of their respective holder(s). Information is subject to change without notice. ©NETGEAR, Inc. All Rights reserved.